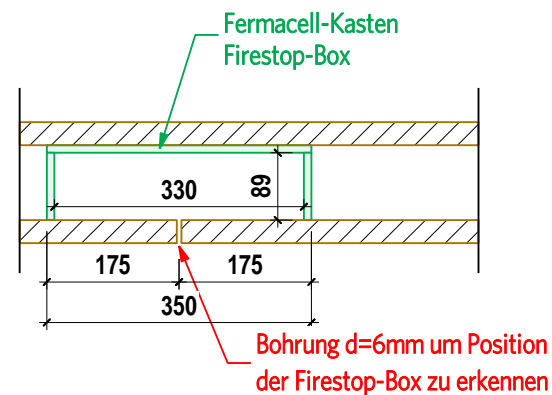
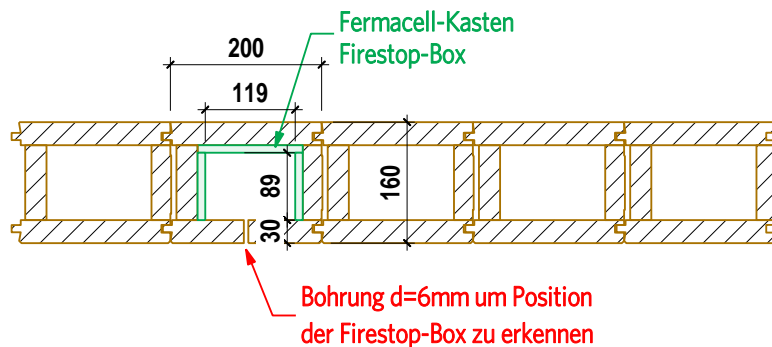
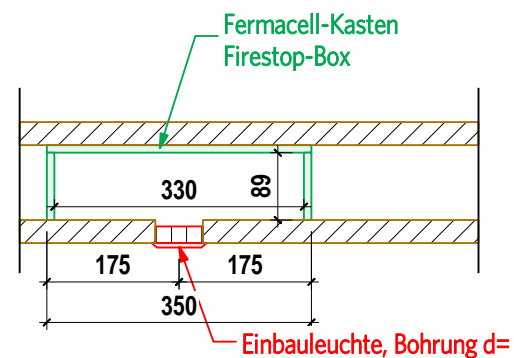
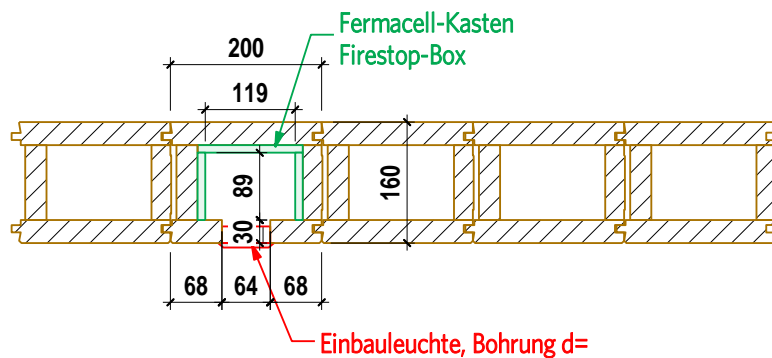
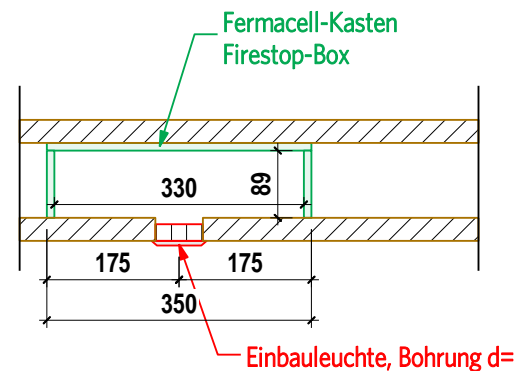
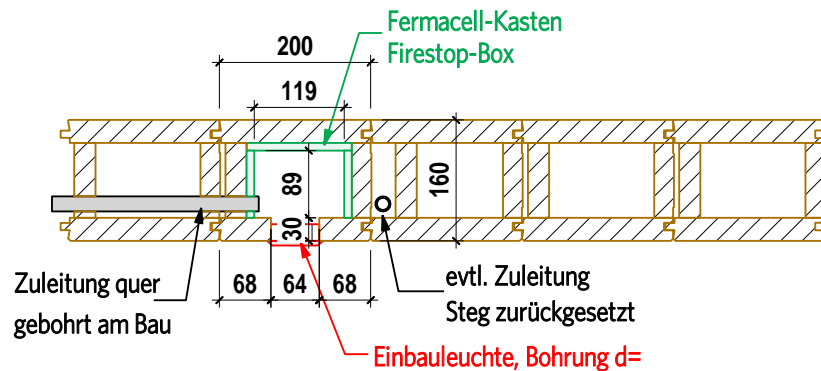


Detail Fire-Stop-Box in Kastenelement EK Mst. 1:10

01.01.2011/FH



Detail Fire-Stop-Box in Bodenelement EB Mst. 1:10

01.01.2011/FH

